

CL Pro XTR

Connect, captivate, and communicate
24/7 with CL Pro XTR

Our cutting-edge playout screen, powered by CleverLive digital signage,
keeps your audience engaged around the clock.

Available in a range of sizes
55": 4K | 65": 4K

Slimline bezel from 9.9mm



Screen Sustainability Scheduling

for reduced power consumption

Operational 24/7

COMING SOON



1-year MDM* included

Remote access to manage, view and support your display for the ultimate in control and flexibility

CLEVERSHARE®

Connect and share any device in an instant
with the free to download CleverShare App.

CLEVER® LIVE

Embedded Digital Signage, subscription free.
Create your account today at cleverlive.com

Key Features



4k Ultra HD
Resolution
(55": 4K, 65": 4K)



24/7 Usage



Landscape &
Portrait



One Touch
Messaging &
Broadcasting



Scheduling
Power
Management
for Screen
Sustainability



Control
Integration



Capable of full,
multi zoned
digital signage,
no additional
media player
required.



Android
Technology



MDM Built-in
Management
Control



OTA Updates &
Cloud Accounts

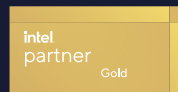
Upgrade your solution



Add an **OPS** or **Video Conferencing Bar** to create a Microsoft Teams Room or Zoom Room environment.

*OPS not applicable with CL Pro XTR 55"

partnered with



CL Pro XTR Specifications

Display

Screen size	55" 4K 65" 4K
Screen Type	VA
Aspect Ratio	16:9
Display Colours	1.07 Billion (10 bit)
Resolution	4K UHD (3840x2160 @60Hz)
Response Time	6.5ms
Refresh Rate	60Hz
LCD Viewing Angle	178°
Brightness	700 cd/m2
Contrast Ratio	55": 4000:1 65": 5000:1
DC Dimming (for Flicker Free)	Yes
Main Board	982
Life of Screen	50,000 Hours
NTSC	72%

Connectivity

OPS Slot	55": No 65": Yes
HDMI In	55": 2 65": 3
HDMI OUT (Clone content from one display to another)	1
USB-A 2.0	1
USB A 3.0 (faster data transfer)	1
USB C (Video, Audio & Touch)	1 x USB Side Type C with video, audio, 65W PD and network sharing
LAN In (RJ45)	1
LAN OUT	55": No 65": Yes
RS-232	1
Wake-on-Lan	Yes
Wireless Adapter 2.0 + WAP	Yes
Clevertouch WiFi Module	Yes
Bluetooth	5.0
Optical Out	1
Headphone	1 (3.5mm)
Gyroscope	Yes
Auto-rotate	Yes
WiFi	IEEE 802.11 a/b/g/n/ac/ax with 2 x 2 MIMO (hotspot only) (both 2.4 and 5 GHz bands)
WiFi Generation	WiFi 6
WiFi Speed	Capable of speeds up to 1Gbps

Computing

Operating System	Android 11
System Version	LUX 11
RAM	4GB
Internal Storage	32GB
CPU	Quad Core A55
GPU	Mali G52 MP2
Android Resolution	4K
System Architecture	32B

Audio

Dual Front Facing, Bass Enhanced Speakers	2 x 16W
SPDIF / Fibre	Yes
Sound Channel	2.0

Power

Power Requirements	55": 100-240V~ 50/60Hz 3.0A 65": 100-240V~ 50/60Hz 3.5A
Power Consumption (Normal)	55": 150W 65": 165W
Power Consumption (Standby)	≤0.5W
Ultra Quiet Fanless Design	Yes

Operating and Storage Environment

Operating Temperature	0° to 40°
Storage Temperature	-20° to 60°
Operating Humidity	10% to 90% RH
Storage Humidity	10% to 90% RH
Altitude	Below 5000 metres

Physical Spec

Panel Dimensions	55": 1233 x 703.5 x 71.4mm 65": 1463.3 x 838.3 x 71.64mm
Packed Dimensions	55": 1332 x 156 x 819mm 65": 1628 x 208 x 942mm
Bezel Sizes	55": 9.9mm 65": 15.9mm
Net Weight	55": 13.40kg 65": 25.40kg
Packed Weight	55": 19.50kg 65": 33.25kg
VESA Mount Point	55": 400 x 200mm 65": 600 x 400mm
Screws for VESA	55": M6 x 12mm 65": M8 x 25mm

CL Pro XTR Specifications

Software & Features

OpenSDK Support	Yes
Intelligent O&M	Yes
H.264 + H.265	Yes
HD Hardware Encoding and Decoding	Yes
CleverLive™ Embedded Digital Signage	Yes
Clevershare™ Mirroring Any Device To The Board	Yes
Miracast (WiFi Direct)	Yes
AirPlay	Yes
Chromecast	Yes
CleverLive Rooms™ Embedded Room Booking	Yes
Alerts and Announcements	Yes
Over-the-Air Updates	Yes
Remote Management Of Touchscreens (MDM)	Yes

Inside your Clevertouch Box

What's In The Box	(1) CL Pro Series XTR 24/7 Commercial Display (1) Regional Power Cable (1) HDMI Cable (1) Remote Control (1) Batteries for Remote Control (1) Clevertouch WiFi Module (1) Quick Install Guide
-------------------	---

Statement

Size and weight vary by configuration and manufacturing process, please refer to the actual product. The product images are for illustrative purposes only and may slightly differ in appearance, colour, size, etc. from the actual product. The description, illustrations, etc. in this document may subject to change in accordance with the latest product specification and performance. Should the above-mentioned change in the document become necessary, the document may be updated without written notice.

Warranty

Warranty term and upgrade options vary by region. Contact your local reseller or distributor for information and visit clevertouch.com/about/warranty

Compliance & Certification

Regulatory Certification	CE, CB, FCC, IC (EMC), SANS 62087, Energy Star, ERP (Ecodesign), EEI
--------------------------	--



Support

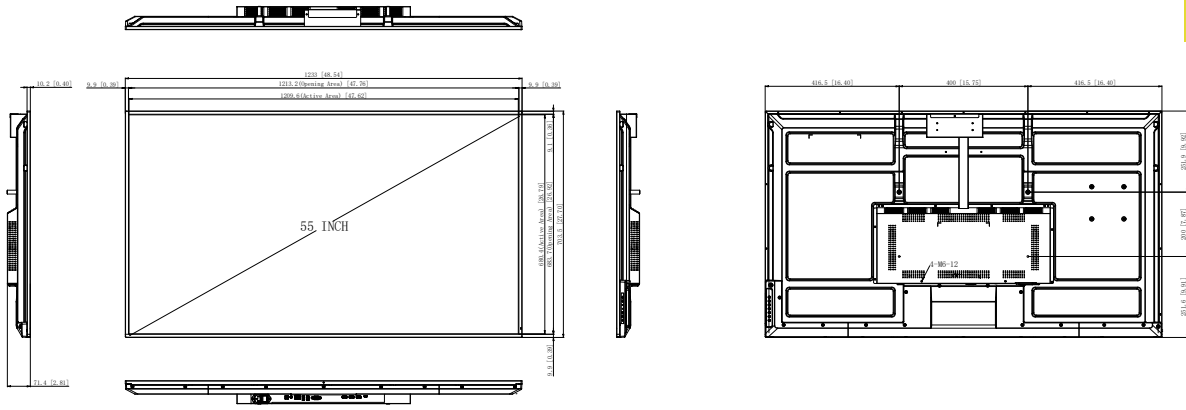
For all Clevertouch products, visit: support.clevertouch.com

Installation

The installation of this product should be completed by a qualified installer. Use of components not supplied by Clevertouch or not meeting minimum specifications may impact performance, safety and warranty. For more information, visit clevertouch.com

CL Pro XTR Specifications

55"



65"

