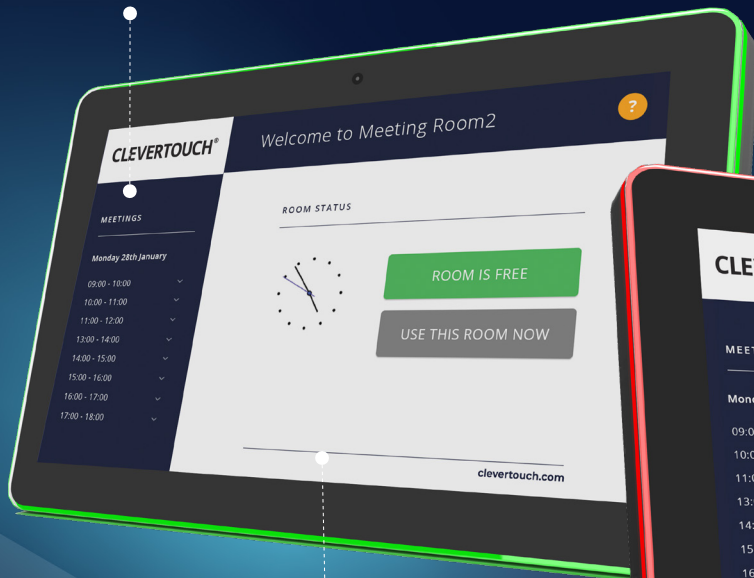


CleverLive Rooms 2

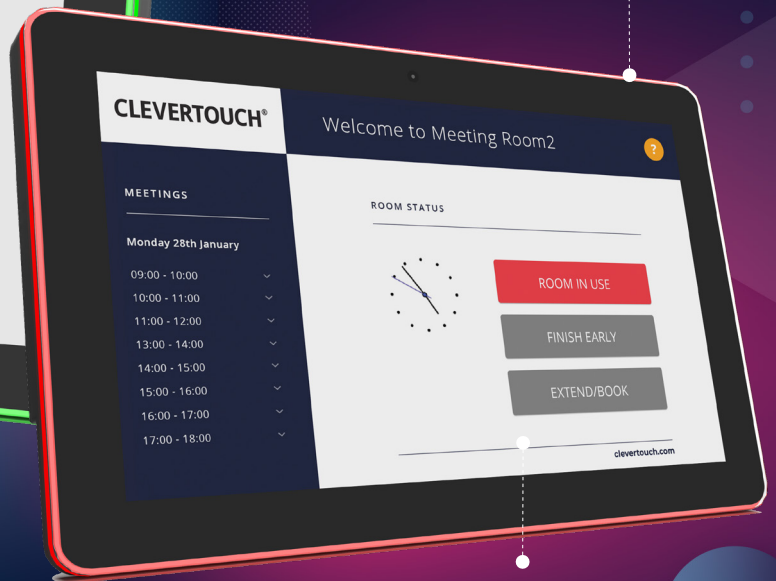
The clever way to manage meeting spaces.

CleverLive Rooms 2 is an innovative room booking solution designed to simplify your meeting room booking process, making it more efficient and user friendly.

Includes wall-mounted brackets



When not in use, display digital signage posters or instant alerts, enhancing the value of your room booking solution.



Keep everyone informed in real time by checking in or out of a meeting room. Updates can be made directly through the panel or your calendar.

Touch screen easy-to-use panel

What's New?



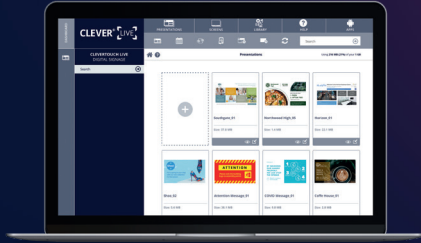
Integrated with standard calendars



Sleek Design with Full Surround LED Lighting



12/24 hour time toggle



CLEVER® LIVE

CleverLive Integration

Clever LiveRooms 2 integrates with CleverLive so you can feature digital signage content on the room booking panel.

Key Features

Complete desktop to display room booking management

CLEVER® LIVE



Connects to CleverLive for digital signage alert messaging

Personalised branding for company or visitor logos

Integrates with Outlook 365, Microsoft Exchange and Google Calendar

Saves valuable admin time



Instantly schedules and reserves the room

Displays availability with green light when available, red light when in use

Real time availability display on screen

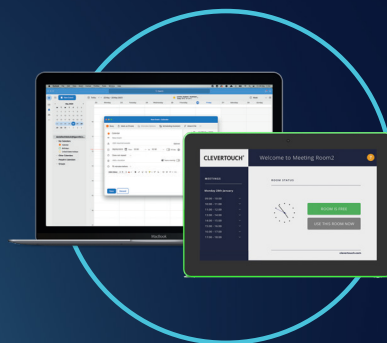
Analytic reporting capability

How does it work?



Connect

Connect your CleverLive CLOUD digital signage to your LiveRooms display to send instant alerts.



Book Source

Book via Outlook 365, Microsoft Exchange and Google Calendar, or at the source. Ideal for planning ahead or ad-hoc meetings on the run.



Display (Availability)

Colour coded availability – red indicates booked and green available. Add value and display digital signage messages when not in use.

CleverLive Rooms 2 Specifications

System

CPU	RK3566 Quad core cortex A55
RAM	4GB
Internal Memory	16GB
Operation System	Android 13
Touch Screen	10-Point capacitive touch

Display

Panel	10.1" LCD panel
Panel Type	IPS
Resolution	1280*800
Display Colours	16.7M Colors
Viewing Angle	R/L 85/85, U/D 85/85
Display Mode	Normally black
Contrast Ratio	1500:1
Display Colours	16.7M Colors
Response Time	25ms
Back-light Type	ELed
Luminance	280cd/m2
Aspect Ratio	16:10

Network

WiFi	IEEE 802.11a/b/g/n/ac
Bluetooth	Bluetooth 5.4
Ethernet	10M/100M/1000M ethernet

Interface

SD Slot	SD card ,Max support to 64GB
Earphone	3.5mm earphone + Microphone
USB	USB 3.0 host, USB for serial (RS232 Level)
RJ45	Ethernet interface
Micro USB	Micro USB OTG
Power jack	DC power input

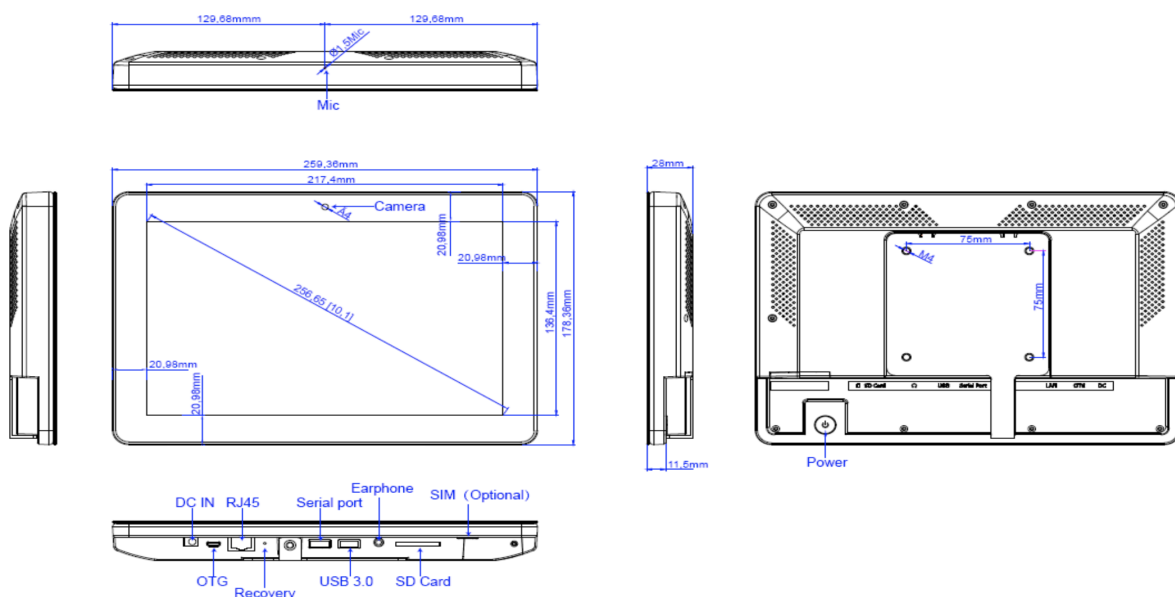
Other

VESA	75*75 mm
Button	Power
Orientation	Landscape/Portrait
Speaker	2*2W
LED light bar	LED light bar with RGB and mixed color
Certificates	CCC/CE/FCC
POE	Yes Supports IEEE802.3at, up to 30W)
Working Temperature	0°C - 40°C

Working Surrounding

Storage Temperature	IEEE 802.11a/b/g/n/ac
Working Humidity	Bluetooth 5.4
Storage Humidity	10M/100M/1000M ethernet
Adapter	Adapter,12V/1.5A

Technical Drawings



© 2021 Clevertouch. All rights reserved. Sahara Presentations Systems PLC. is part of the Boxlight group of companies, and the owner of trademarks in several global jurisdictions including but not limited to Clevertouch, the Clevertouch logo, UX Pro, IMPACT™, IMPACT Plus™, Impact MAX, CleverLive, LUX, Lynx, CleverMessage, Cleverstore and Clevershare. All third-party trademarks (including logos and icons) referenced by Clevertouch remain the property of their respective owners. Unless specifically identified as such, Clevertouch's use of third-party trademarks does not indicate any relationship, sponsorship, or endorsement between Clevertouch and the owners of these trademarks. Applicable Terms and Conditions for warranty and support available at clevertouch.com/about/warranty. All weights and dimensions are approximate. Product specifications are subject to change without notice. Clevertouch.com.